

INFINITY

JOBE YACHTING COLLECTION
OWNERS MANUAL



MANUFACTURED BY:

Jobe Sports International
Heerewaardensestraat 30,
6624 Kk Heerwaarden
The Netherlands

tel. +31 (0) 487 573090
e-mail: info@jobesports.com
url: www.jobesports.com

JOBE 

MADE IN CHINA - FABRICADO EN CHINA - FABRIQUÉ EN CHINE



3 years
Warranty

★ ★ ★

THREE YEARS WARRANTY. REALLY.

We believe in our brand. For this reason, Jobe inflatables come with 3 years warranty. All you have to do is register your board within 2 weeks online at

jobsports.com/happycustomers

Disclaimer

Please use your own good judgement when operating this product. It's not possible for Jobe Sports International to warn you about every possible danger related to the use of the product.

General warnings for platform and pool

- Never tow behind a boat or watercraft.
- This product provides no protection against drowning.
- This product is not a life saving device.
- This product is no case PPE (Personal Protective Equipment) neither a PFD (Personal Flotation Device).
- Do not tow the product.
- Only use when the netting is pulled straight down (pulled down as a cube shape).
- Other watercrafts, currents, high winds, waves may cause unexpected movement of the netting. Do not use the pool in such conditions or situation and check the netting afterwards if the netting is safe to use.
- Check the product before each use.
- This product can build up pressure when placed in the sun or warm environment, explosion may occur. Cool the product or release pressure to prevent explosion, tearing seams or delamination.

Weather conditions

- Do not use this product in poor weather conditions, including high and off shore winds, waves, strong or off shore currents or lightning. This may cause the product to move unexpectedly or turn over and could lead to serious bodily injury or death.
- Do not use this product at night, under low light or in poor visibility, including white water. such use could lead to serious bodily injury or death.

Intended use

- This product is solely intended to be used in calm water and under calm weather conditions. Do not use this product in one of the following locations, such use could lead to serious bodily injury or death.
- Do not use this product in shallow water, waves, current or swell or where other water users are located. this may cause the product to move unexpectedly or turn over and could lead to serious bodily injury or death.
- Do not use this product close to submerged rocks and sand bars or where jellyfish, sharks or other dangerous animals are known to be present. such use could lead to serious bodily injury or death.

User of this product

- Do not use this product in any of the following circumstances, such use could lead to serious bodily injury or death.
- Never exceed the maximum load for each platform size.
- Never exceed the maximum number of persons for each platform (6 persons).
- Non-swimmer and persons with difficulty swimming should never use this product.
- People unsure of their capacity to swim, injured or not physically able to swim should never use this product.
- Never operate or use the product whilst under the influence of alcohol or drugs.
- Children should never use this product without adult supervision.
- Children should always wear a life jacket while using this product.
- Children should never be left unattended when using this product.
- Elderly should be assisted when using this product.

Installation of this product

Follow carefully the instruction provided by this manual to operate and install this product, failure to do so could lead to serious bodily injury or death.

Always install and carry this product as a team of two or more persons, failure to do so could lead to serious bodily injury or death.

User should never use an air compressor to inflate this product. Use of an air compressor may cause the product to burst and could lead to serious bodily injury or death.

General use of this product

Users should be careful while operating or using this product. Do not use this product in one of the following manner, such use could lead to serious bodily injury or death.

- Always remove personal items such as rings, watches or other sharp objects before using this product.
- Jobe Sports International recommends the use of life jackets, for all persons using this product.
- Always take care when stepping onto the platform from another vessel/object.
- Never jump on or onto this product
- Do not swim underneath this product
- Do not swim through or place any bode parts though any elements of this product.
- Always take extreme care when swimming between the shore and this product or in the pool itself. The netting must be checked before using it and must be pulled down at all time during use.
- While using this product, pay attention to any other water users or boat traffic. These may create a wash and cause the product to move unexpectedly. such use could lead to serious bodily injury or death.
- Never use whilst in between 2 yachts in harbour or open water.
- Always take extreme care when using in harbour or open water.
- Sunscreen or other oil based products may cause that the color gives off and leave stains on skin or other products that has been in contact with the ink.
- Discoloration of any material because of the sun or UV are not accepted as warranty.



1. Place the platform/pool on the transom of your boat and connect a rope to one of the d-rings on the corner that have a valve next to it. Make sure the rope is long enough to unroll the unit in step 2 and 3.



2. Place the platform/island close to your transom in the water and unroll the island/pool in the water.



3. Place the corner where the valve is located onto the transom of your boat. Make sure it doesn't float of the transom in the next step.



4. Inflate the island/pool with the infinity pump to the desired amount of PSI (8 PSI is recommended).



5. Place the island/pool in the water when it's fully inflated. Rotate the platform/pool, the small d-rings should be closest to the transom of your boat.



6. Strap down the platform next to the platform.



7. Inflate the transom pumers.



8. Strap down the transom bumper.
9. The transom bumpers should be placed tightly next to the transom of the boat. Adjust the ropes that lead from platform/pool to the boat, if needed.

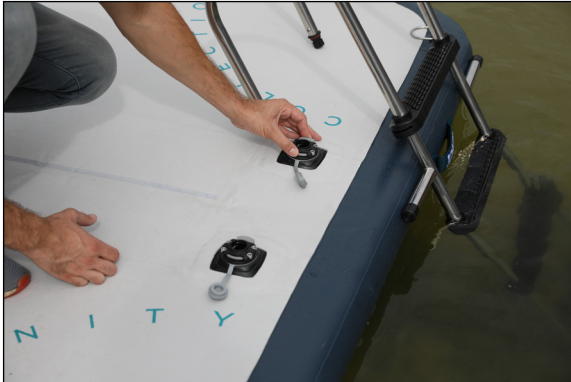


10. (pool only) attach the anchors to each corner of the netting.

Deflating the pool/island:

1. Untie the transom bumpers and deflated them
- 1a. (pool only) detach the anchors from the netting of each corner by pulling the rope.
2. Loosen the ropes that lead from boot to island/pool. Rotate the corner where the valve is located towards the transom of your boat and place the corner onto the transom of your boat.
3. Connect the pump nozzle to the pump, deflate the island.
4. Roll up the island/pool.
5. Store the island/pool into the bag. *The island/pool must be cleaned and dried before storage.

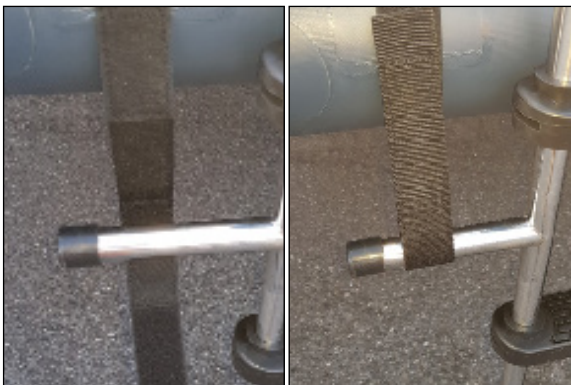
Connect the ladder (see instructions)



1. Open the lock of the mount.



2. Place the ladder into the mount and close the lock.



3. Place the straps onto the ladder like the below photo. Adjust the straps if needed.

Inflate ,deflate and releasing pressure instruction:

The cap must be removed prior to inflating, deflating or releasing air. When the cap is removed the pin in the middle of the valve can be seen.

Inflating:

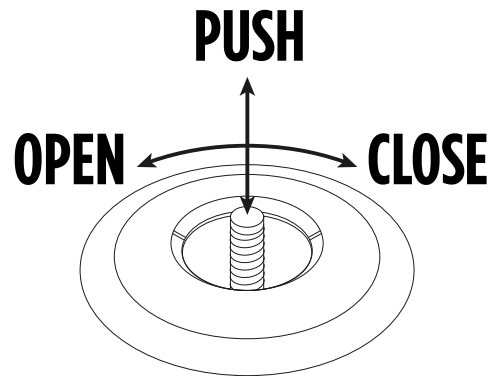
Make sure the pin is positioned in upward position so the valve is closed. Insert the nozzle of the hose.

Deflating:

The valve will open when the pin is pushed and will stay open when pushed and turned counter clockwise. When deflating the platform with the pump the valve must in closed position.

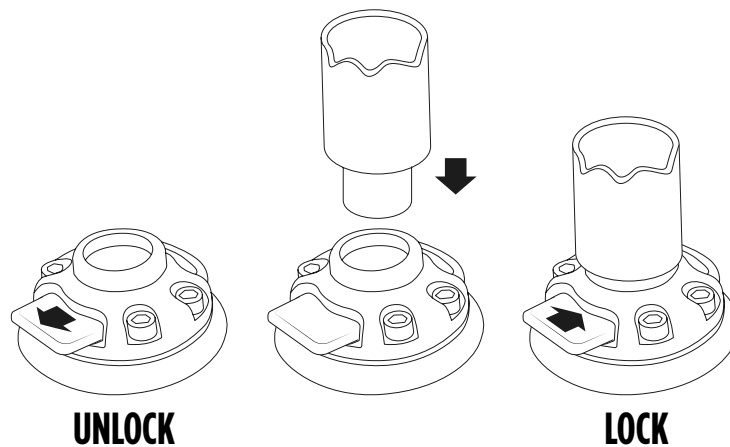
Releasing air:

Releasing small amounts of air at one time is recommended by pushing the pin for a short period (without rotating the pin).



Ladder mount instruction:

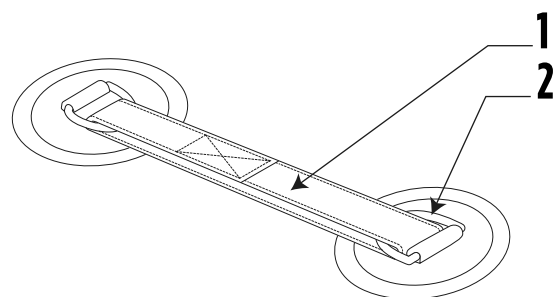
unlock the mount by pulling the clip out like below left image. Insert the plastic part into the mount and maintain pressure onto the ladder, close the mount by pushing the clip like indicated on below image.



Connecting the platform instruction:

The platform can be connected to each other by using the Velcro straps (1) to the D-ring(2). Simple pull the Velcro strap through the D-rings and connect the ends to each other. Use a rope in to connect the platform to the boat (not included).

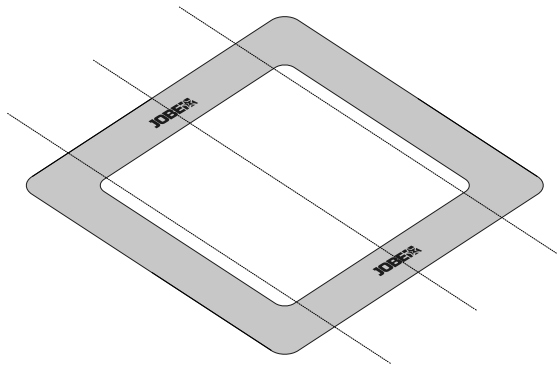
Warning: use the Velcro straps in calm water only, use a rope for rougher water conditions.



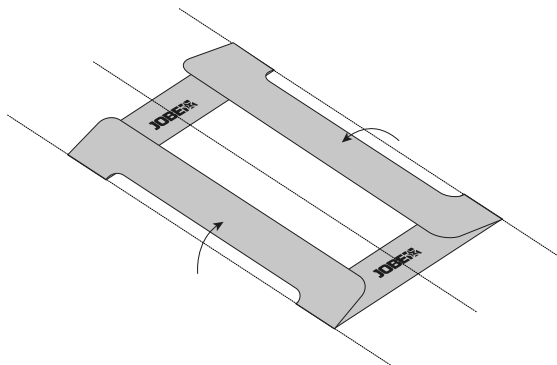
Folding the pool/platform instruction:

Pool

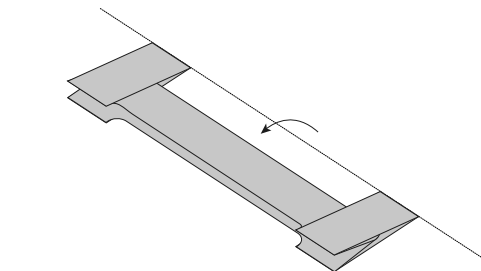
1.



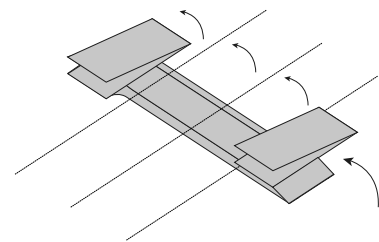
2.



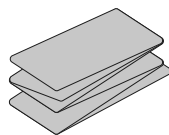
3.



4.

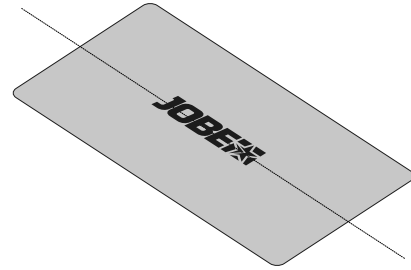


5.

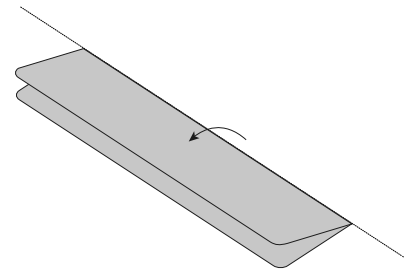


Platform

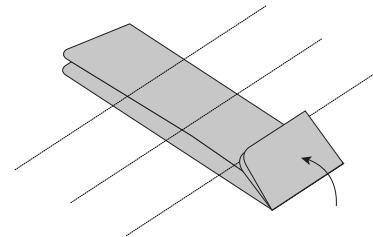
1.



2.



3.



4.

